



**TO INSURE BOTH SAFE AND TROUBLE-FREE
PERFORMANCE, WE STRESS THAT ALL
PERSONNEL THAT WILL BE INVOLVED WITH
YOUR NEW UNIVEX G PEELER MUST READ
AND UNDERSTAND THESE INSTRUCTIONS
BEFORE ATTEMPTING TO OPERATE THIS
UNIT.**

WE APPRECIATE YOUR COOPERATION AND
YOUR BUSINESS. SHOULD THERE BE A QUES-
TION OR IF WE CAN BE OF FURTHER ASSIS-
TANCE, PLEASE CALL US.

1-603-893-6191

TABLE OF CONTENTS

<u>DESCRIPTION</u>	<u>PAGE</u>
TABLE OF CONTENTS	1
LIST OF ILLUSTRATIONS	1
INSPECTION	2
INSTALLATION	2
SAFETY	3
OPERATING INSTRUCTIONS	5
CLEANING INSTRUCTIONS	6
WARRANTY	BACK COVER

LIST OF ILLUSTRATIONS

<u>ILLUSTRATION</u>	<u>PAGE</u>
FIGURE 1 OVERALL VIEW	4
FIGURE 2 CLEANING INSTRUCTIONS	7

UNIVEX G PEELER

INSTRUCTION MANUAL

Welcome to Univex

Thank you for purchasing this Univex Product.

Your new g peeler has been designed with advanced performance and safety features that make it an excellent addition to your food preparation equipment. Like all Univex mixers, slicers, meat grinders and accessories, this vegetable peeler is engineered to provide years of reliable service.

If you have any questions concerning the operation of this unit, or if we can be of further assistance, please call our Customer Service Department for the location of your nearest service representative.

Univex Customer Service:

USA & Canada 800-256-6358

International 603-893-6191

Or visit us on-line at www.univexcorp.com under service agents.

INSPECTION

This G PEELER has been inspected and tested at the factory, however the user should perform an external inspection and electrical check prior to use. The electrical data listed on the nameplate of the drive unit should be the same as the user's electrical supply. Any damage should be reported to the carrier immediately and any shortage or deviation of parts should be reported to Univex Corporation.

INSTALLATION

Remove the G Peeler from the shipping carton and remove the cover, shipping spacer, water inlet hose and any literature packed inside the peeler. Place the peeler on a sink drain board or any suitable location. Be sure that the drain outlet (Figure 1 [6]) is located so that water and peelings will discharge into the sink.

Install the cover. Position the water inlet tube (Figure 1 [2]) over the opening in the cover. Raise the tube high enough to allow the cover to be installed and removed without interference.

Slip the small end of the flexible hose (Figure 1 [3]) over the water inlet tube. Attach the large end of the flexible hose onto the cold water faucet. Close and latch the discharge door (Figure 1 [7]).

CAUTION: Before making electrical connection, check the specifications on the nameplate to make sure that they agree with those on your electrical service. Plug the electrical power supply cord (Figure 1 [4]) into an available and proper AC outlet.

SAFETY IS OUR TOP PRIORITY

READ AND MAKE SURE THAT YOU UNDERSTAND THE INSTRUCTIONS AND SAFETY WARNINGS IN THIS BOOKLET BEFORE ATTEMPTING TO OPERATE THIS POWER UNIT.

IT IS A VIOLATION OF UNITED STATES DEPARTMENT OF LABOR REGULATIONS TO PERMIT OPERATION OF THIS UNIT BY ANY PERSON UNDER THE AGE OF 18 YEARS.

FIRST TIME OPERATORS SHOULD BE PROPERLY TRAINED IN SAFETY PRECAUTIONS AND IN THE PROPER USE AND SERVICING OF THIS EQUIPMENT AND ATTACHMENTS.

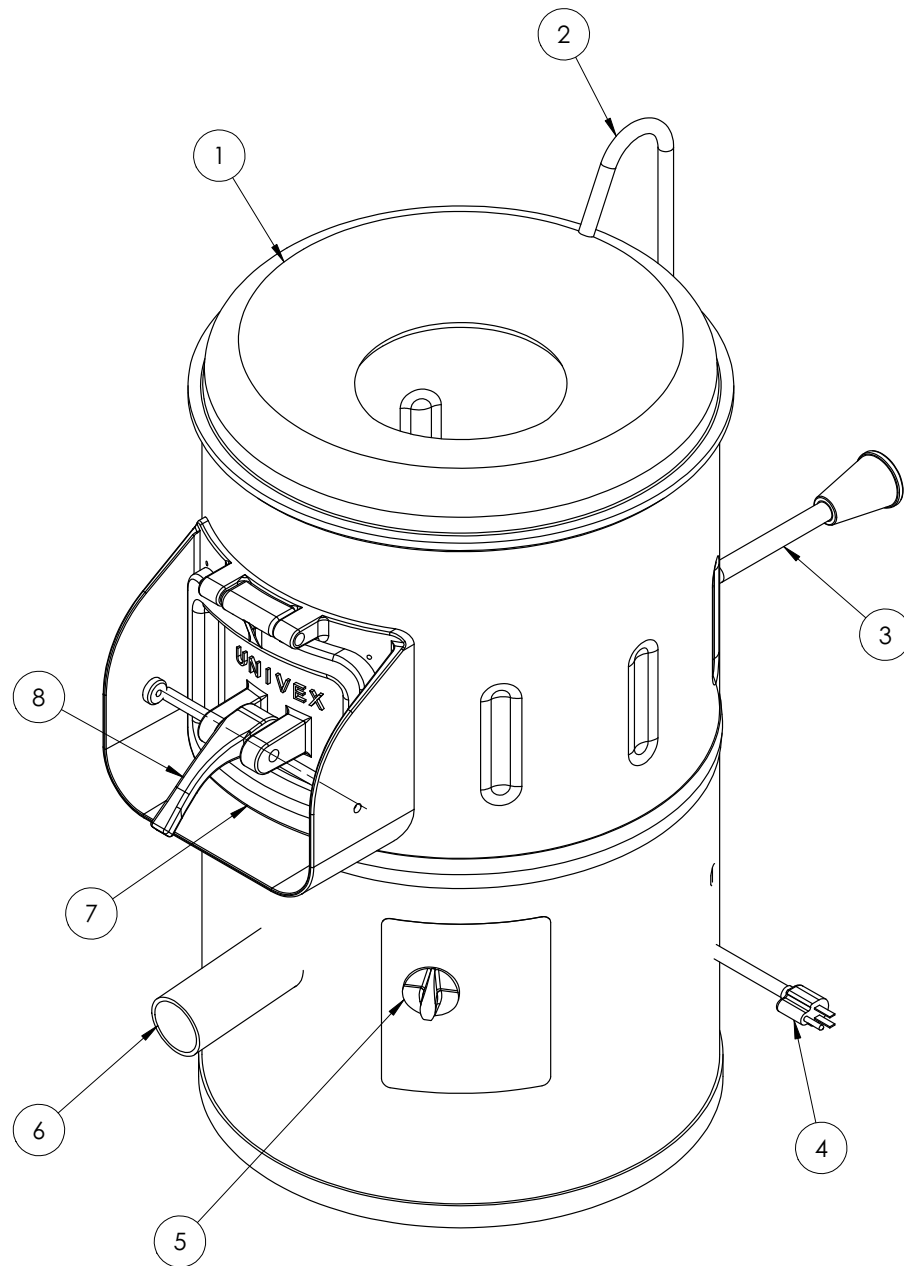
SWITCH THE POWER “OFF” BEFORE CONNECTING THE UNIT TO THE POWER SOURCE. MAKE SURE THE SWITCH IS IN THE “OFF” POSITION, OR THE MACHINE WILL START WHEN THE ELECTRICAL POWER IS RESTORED.

SWITCH THE POWER “OFF” AND DISCONNECT THE POWER SUPPLY CORD BEFORE CLEANING OR SERVICING THE UNIT

WIPE DOWN THE EXTERIOR OF THE UNIT ONLY, NEVER HOSE DOWN OR IMMERSE THE DRIVE UNIT IN WATER.

DO NOT ATTEMPT TO SERVICE THE VEGETABLE PEELER. PLEASE CONTACT UNIVEX CORPORATION FOR THE NUMBER OF THE NEAREST AUTHORIZED SERVICE AGENT IN YOUR AREA FOR ADJUSTMENTS OR REPAIR.

OVERALL VIEW OF THE G PEELER
FIGURE 1



- | | |
|----------------------|-------------------------|
| 1. COVER | 5. TIMER KNOB |
| 2. WATER INLET TUBE | 6. DRAIN OUTLET |
| 3. FLEXIBLE HOSE | 7. DISCHARGE DOOR |
| 4. POWER SUPPLY CORD | 8. DISCHARGE DOOR LATCH |

OPERATING INSTRUCTIONS

Once the G Peeler has been properly installed, adjust the cold water faucet for a small flow of water. This water will flush away peelings through the drain outlet when the peeler is operating.

To start the peeler, Turn the timer knob (Figure 1 [5]) beyond the desired time and then turn it back to three minutes. This is the average time required to peel a 20 pound load of potatoes.

Insert the potatoes or other vegetables through the opening in the cover (Figure 1 [1]).

The timer will automatically shut the peeler off when it has time out. Inspect the vegetables. If you are satisfied with the peeling, unlatch the discharge door. Have a receptacle ready to receive the vegetables or discharge them directly into the sink. To eject the vegetables, start the peeler by turning the timer, hold the discharge door partly open. The rotation of the peeling disk will eject the vegetables. once the peeler is empty, turn the timer off.

Peeling time will vary with the size, shape and condition of the potatoes or vegetables. The three minute average peeling time may have to be increased or decreased accordingly. The estimated capacity of 20 pounds is based on US Grade 1 potatoes. Large or long potatoes may require a slight reduction in load to obtain satisfactory results.

CAUTION: DO NOT OVERLOAD THE PEELER. THERE SHOULD BE ROOM IN THE PEELER FOR COMPLETE TUMBLING OF THE VEGETABLES AT ALL TIMES FOR PROPER PEELING TO OCCURS.

Noise emissions for this peeler are below 70 db(A)

CLEANING INSTRUCTIONS

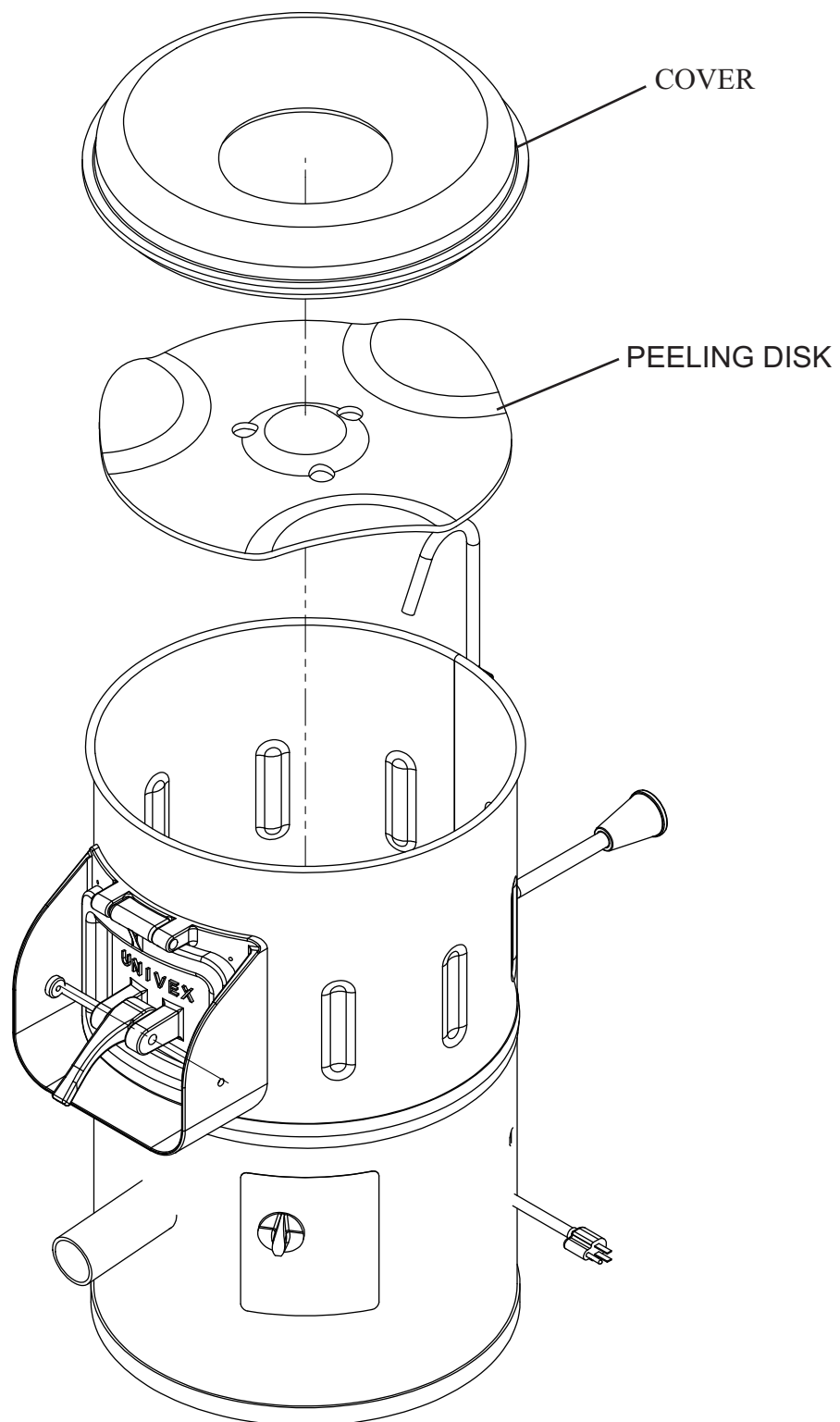
As soon as peeling is complete and before peeled particles dry and stick to the peeler, clean and dry your peeler.

WARNING: DISCONNECT THE POWER SUPPLY CORD BEFORE DISASSEMBLING OR CLEANING YOUR PEELER.

- Remove the cover from the peeler.
- Remove the peeling disk from the peeler.
- Wash the cover and peeling disk with mild detergent and COLD water.
- Wash the inside of the peeler and flush it out thoroughly with the flexible hose.
- Thoroughly dry the peeler and leave the discharge door unlatched to prolong the life of the door seal.
- Wipe down the outside of the peeler with a soft rag.

CLEANING INSTRUCTIONS

FIGURE 2



Warranty

The Univex G-PEELER carries a one-year, on-site parts and labor warranty against any defects in materials or workmanship. The one-year period begins on the date of purchase by the end user and remains in full effect provided the unit is used properly and in accordance with our instructions. Any work to be performed under this warranty must be performed between the hours of 8:00 am and 5:00 pm local time, Monday through Friday. Univex will not cover overtime charges of any kind. Please call the Univex Warranty Service Department at 800-258-6358 to report warranty claims before arranging repair or attempting to return the unit to Univex Corporation.

Damages incurred in transit or incurred because of installation error, accident, alteration, or misuse are not covered by this warranty. Transit damages should be reported to the carrier immediately.

Univex will not be liable for any consequential, compensatory, incidental or special damages.

